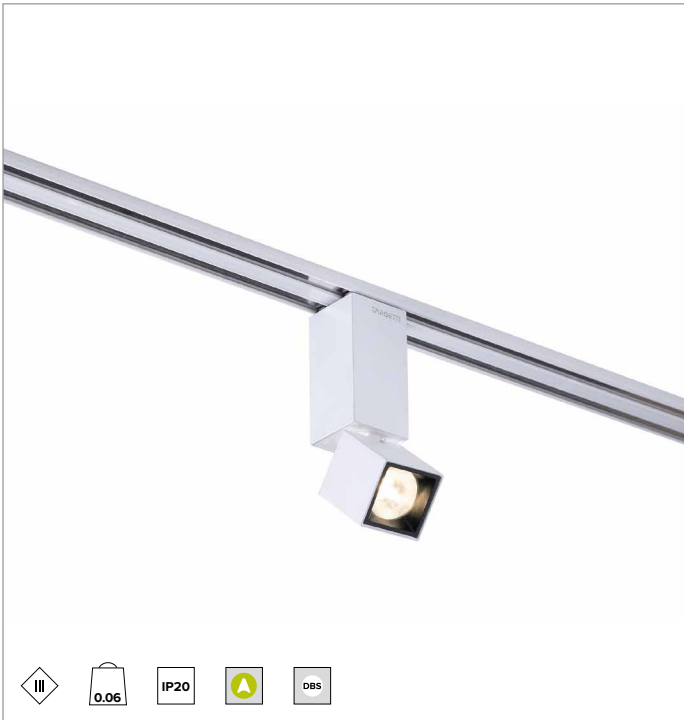
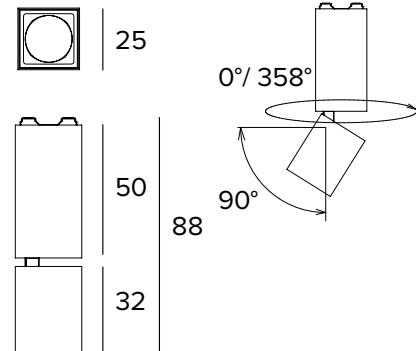


## 1T7963CA | OZ Lighting module - Single

### Adjustable magnetic LED light module, powered at low voltage



The fixture's photometric values can be found on the following pages



The figures on the drawing are expressed in mm.

#### SOURCE

Hugh efficiency Ra90 LED Emitter.

**Energy efficiency class:** G

**Nominal power:** 2,1W

**Nominal flux:** 236lm

**Colour rendering index:** 90

**Rf:** 89.3

**Rg:** 104.3

**CCT nominal:** 3000K

**SDCM:** 2

**Lifetime (L80/B10):** >50000h tq +25°C

#### ILLUMINOTECHNICAL CHARACTERISTICS

Optical unit composed of a specular anodised aluminium reflector, a Lens Vector lens (liquid crystal glass lenses that are electronically controlled to regulate light diffusion and the beam opening) and a holographic filter; UGR<22 (EN12464-1).

**Optic:** DBS

**Beam angles:** SP-FL

**Optical efficiency:** See photometries

**Fixture flux:** See photometries

**Luminous efficacy:** See photometries

**Photobiological safety:** Compliant with RG1 low risk group

#### MECHANICAL CHARACTERISTICS

White painted die-cast aluminium body. Adjustable fixture, 25x25mm. Tiltability of the optical unit from 0° to +90° on the vertical plane and of 358° on the horizontal plane.

**Colour and finish:** Plaster white

**Dimensions:** 25x25mm

**Weight:** 0.062Kg

**Version:** ADJUSTABLE CASAMBI

**Degree of protection:** IP20

#### ELECTRICAL CHARACTERISTICS

**Fixture Power:** 3W

**Power supply:** 48Vdc

**Insulation Class:** CLASS 3

**Class F:** YES

**Ambient temperature:** 0°C / +25°C

#### INSTALLATION

Extremely rapid, versatile and simple mechanical and electrical coupling system using magnets which support the fixture on the Power Track and feed power inside the fixture on all versions.

#### NOTES

Version with DBS (Dynamic Beam Shaper) technology. 110-277Vac version available on request. Commissioning of the control system via free APP; the intervention of a specialist technician can be quoted on request.

#### WARRANTY

5 years.

#### WARNING

Luminaire designed for disposal/recycling at end-of-life. Replaceable (LED only) light source by a professional. Replaceable control gear by a professional.

*Due to the technological evolution of the electronic components, the data provided may be updated, and as such, confirmation must be requested during the order process.*

*Luminous flux and power supply have +/-10% tolerances with respect to the indicated value. tq +25°C (CIE 121).*

*We reserve the right to make technical changes.*

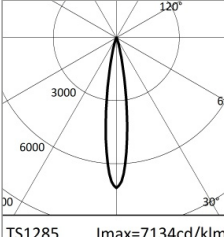
Targetti Sankey S.r.l.  
Via Pratese, 164  
50145 Firenze - Italy  
Tel: +39 055 37911  
targetti.com  
targetti@targetti.com

CCIAA Firenze  
Share Capital:  
€ 500.000,00  
VAT N. (IT):  
01537660480  
R.E.A: FI-275656

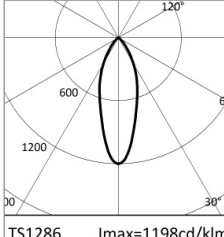
**TARGETTI**

## 1T7963CA | OZ Lighting module - Single

### Adjustable magnetic LED light module, powered at low voltage



	3000K	H(m)	D(m)	Emax(lx)		
	Ra90		16°			
Fixture Power	3W	1	0.28	1684		
Source Flux	236lm	2	0.56	421		
Fixture Flux	175lm	3	0.84	187		
Efficacy	63lm/W	4	1.12	105		
TS1285	I <sub>max</sub> =7134cd/klm	I <sub>max</sub>	1684cd	5	1.40	67



	3000K	H(m)	D(m)	Emax(lx)		
	Ra90		35°			
Fixture Power	3W	1	0.62	283		
Source Flux	236lm	2	1.24	71		
Fixture Flux	156lm	3	1.86	31		
Efficacy	56lm/W	4	2.49	18		
TS1286	I <sub>max</sub> =1198cd/klm	I <sub>max</sub>	283cd	5	3.11	11

#### SP

Fixture flux	175lm
Luminous efficacy	63lm/W
Optical efficiency	74%

#### MWFL

Fixture flux	156lm
Luminous efficacy	56lm/W
Optical efficiency	66%

Due to the technological evolution of the electronic components, the data provided may be updated, and as such, confirmation must be requested during the order process.

Luminous flux and power supply have +/-10% tolerances with respect to the indicated value. tq +25°C (CIE 121).

We reserve the right to make technical changes.

Targetti Sankey S.r.l.  
Via Pratese, 164  
50145 Firenze - Italy  
Tel: +39 055 37911  
targetti.com  
targetti@targetti.com

CCIAA Firenze  
Share Capital:  
€ 500.000,00  
VAT N. (IT):  
01537660480  
R.E.A.: FI-275656

# TARGETTI